

M A R K M O R R I S



D A N C E G R O U P

THE HARD NUT

SAMPLE LIGHT PLOT

DISCLAIMER:

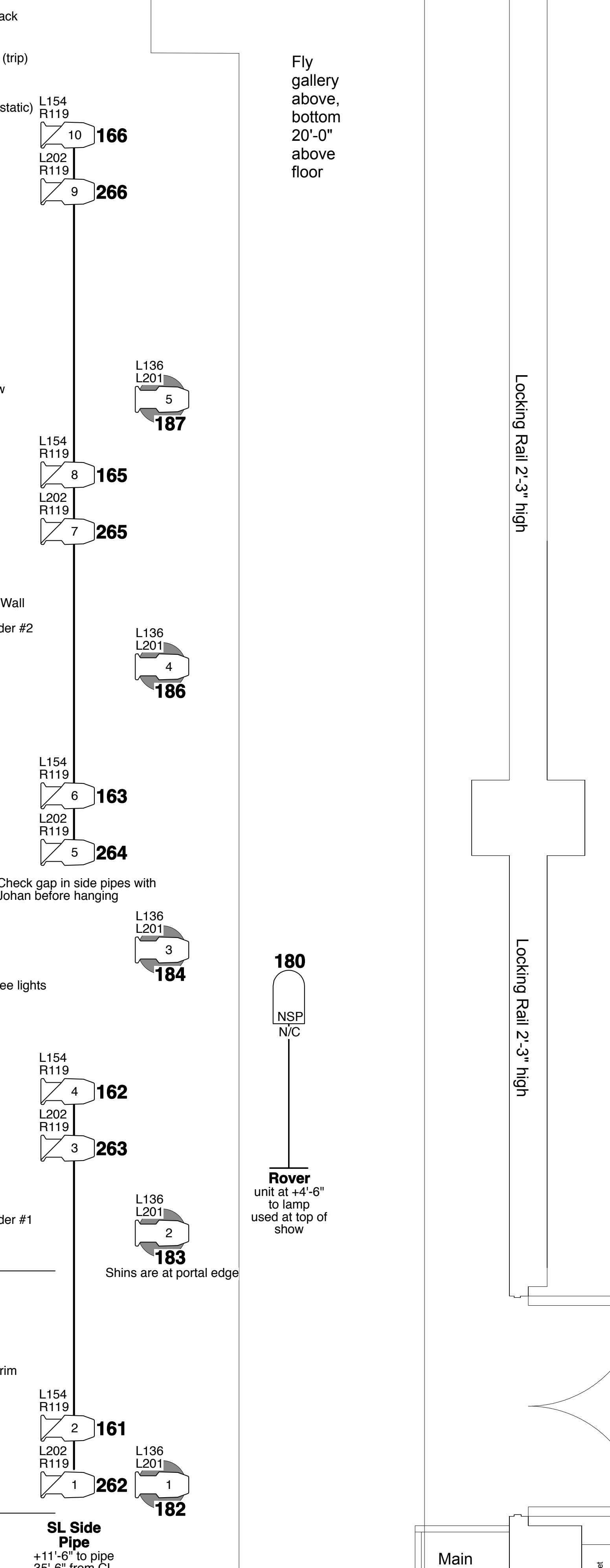
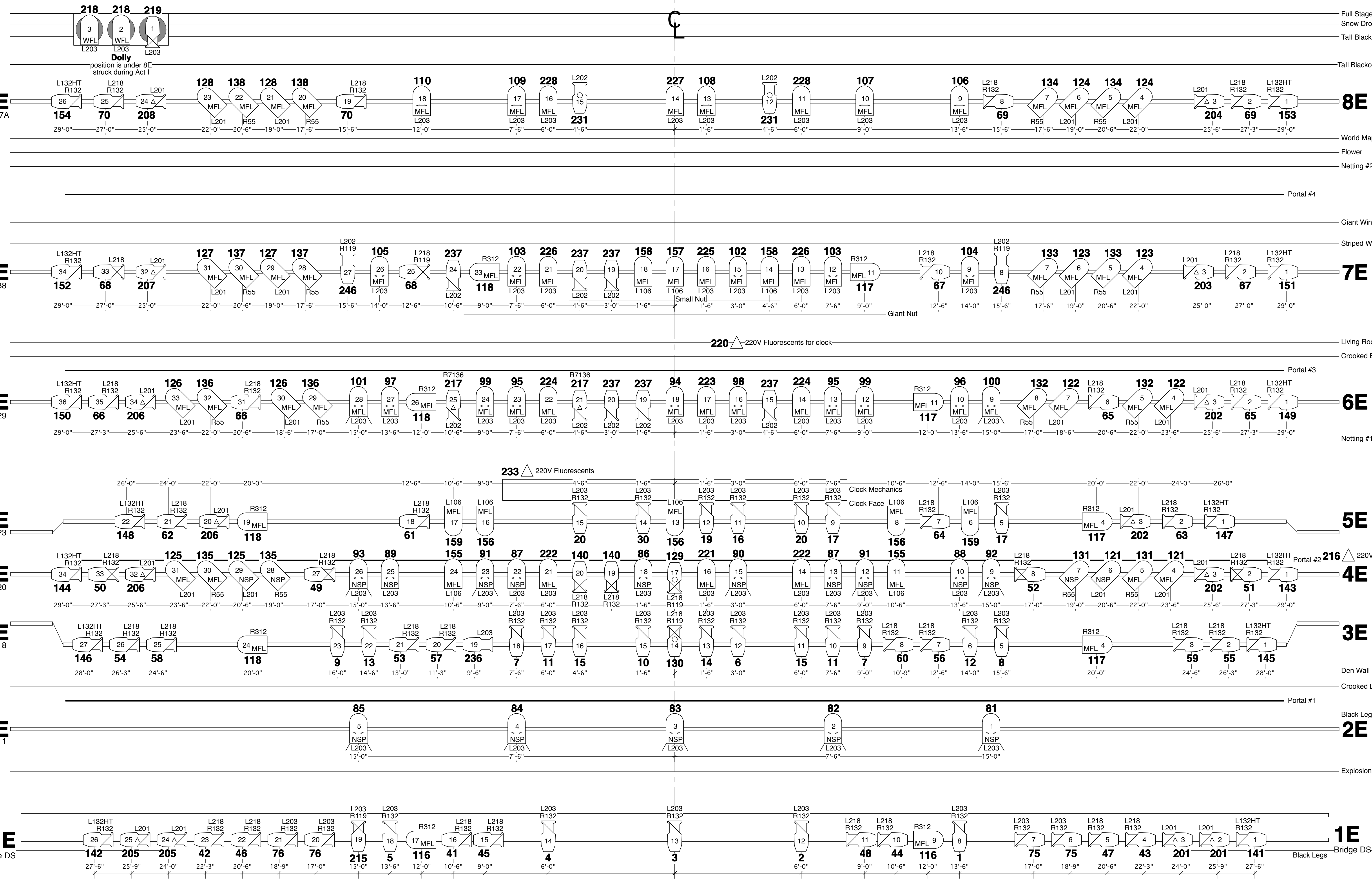
Please note that these are **SAMPLE light plots** for informational and prospective purposes only. Venue-specific light plots are issued once all details regarding dates, program, production needs, presenter's facility and other variables have been determined.

For more information please contact:

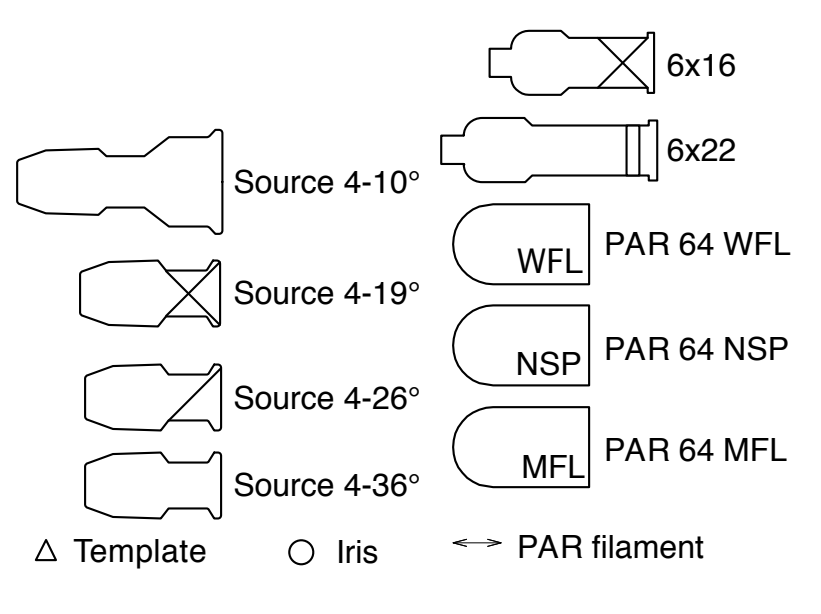
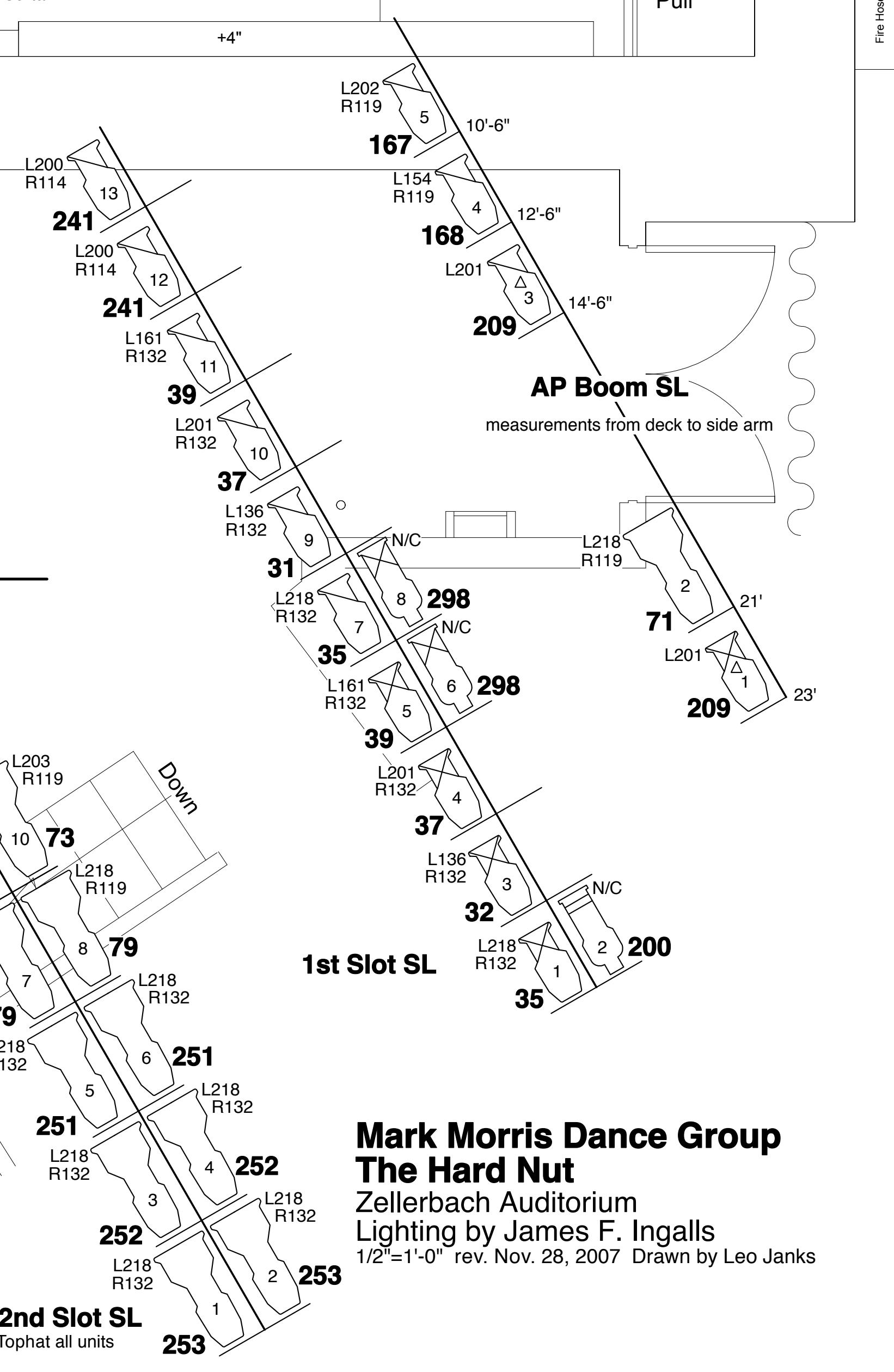
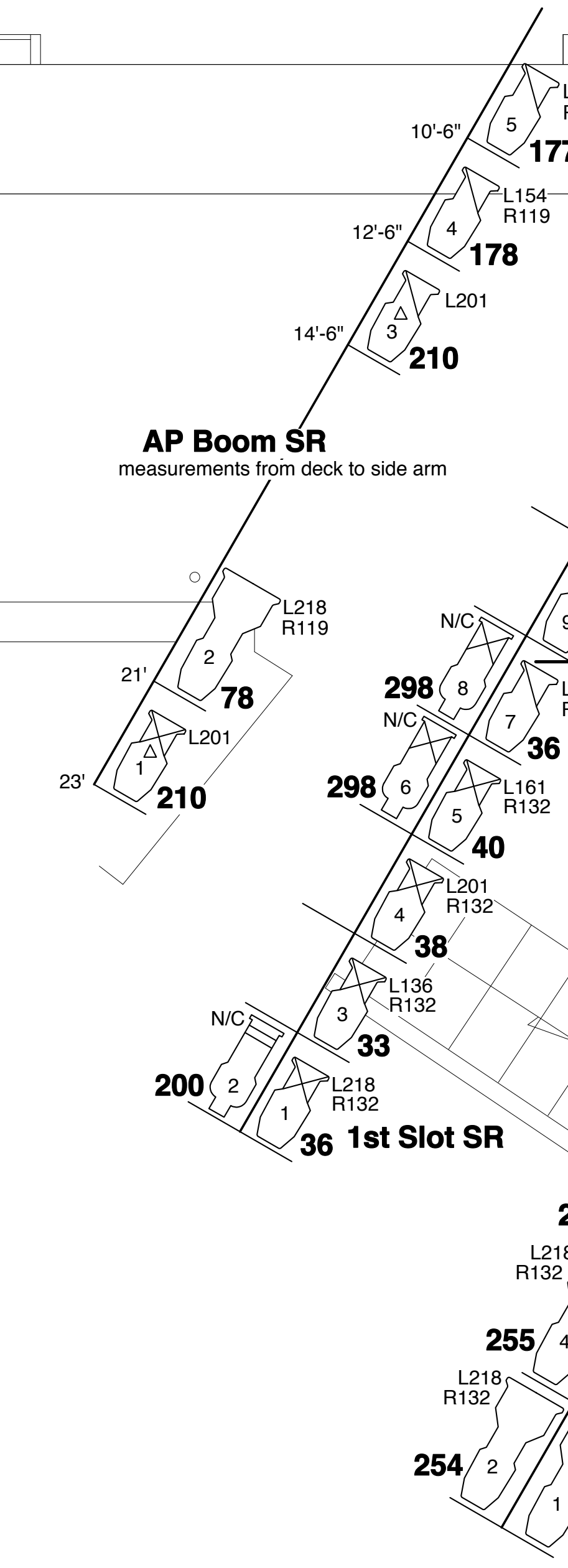
Johan Henckens, Technical Director, johan@mmdg.org

Huong Hoang, General Manager, huong@mmdg.org

Staircase platform above



No cable on the deck except for rovers.
 Please supply extra R132 and R119 for focus
 All templates are GAM 530 except ch. 217 on the 6E
 Please set all PAR filaments vertical except where noted



Set electrics
 Living Room Wall Clock, ch. 220: Two 20W 220V fluorescent lamps. Needs non-dim as well.
 Clock Mechanics, ch. 233: Twenty 20W 220V fluorescent lamps. Needs non-dim as well.
 Small Tree, SL Deck, ch. 216: Fifty 40W 220V bulbs
 Giant Tree, SL Portal #2, same circuit as small tree: Four 100W 220V bulbs
 World Map: 110V non-dim SR for fifteen 15W bulbs

Mark Morris Dance Group
 The Hard Nut
 Zellerbach Auditorium
 Lighting by James F. Ingalls
 1/2"=1'-0" rev. Nov. 28, 2007 Drawn by Leo Janks